

Specifications

LTFL-139-2B1

Factory Light : E39

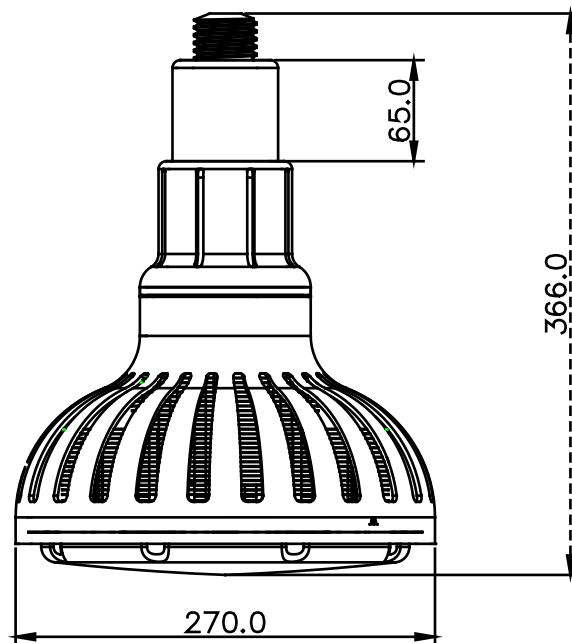
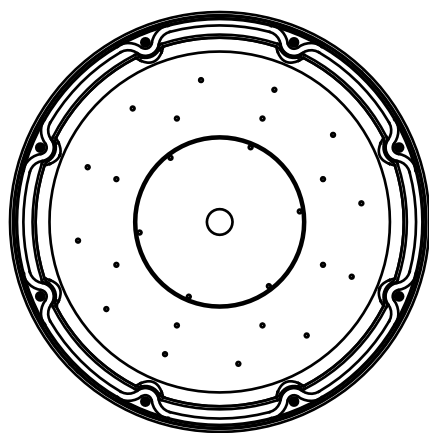
W

Eco-friendly product
No Mercury, No Lead (RoHS standard)



5,000K

Total Flux	8000 lm
Efficiency	85lm/W
Power Consumption	95W ± 10%
Input Power	90~240Vac (50/60Hz)
PF (Power Factor)	>0.9
Color Rendering Index	Ra>70
Operation temp.	-40~50°c
Storage temp.	-40~60°c
Beam angle	156°
Housing & Lampshade	PC + PBT + Al + Cu
Protection Rating	IP65
Weight	3.1kg
Working Life	>40,000 hrs
Figuration Size	Ø270 x 366mm
Installation	E39



246 Kumho-ri Buyong-myeon, Cheongwon-gun, Chungcheongbuk-do, Korea, 363-942
Tel: +82-70-4331-3570 Fax: +82-43-263-3308